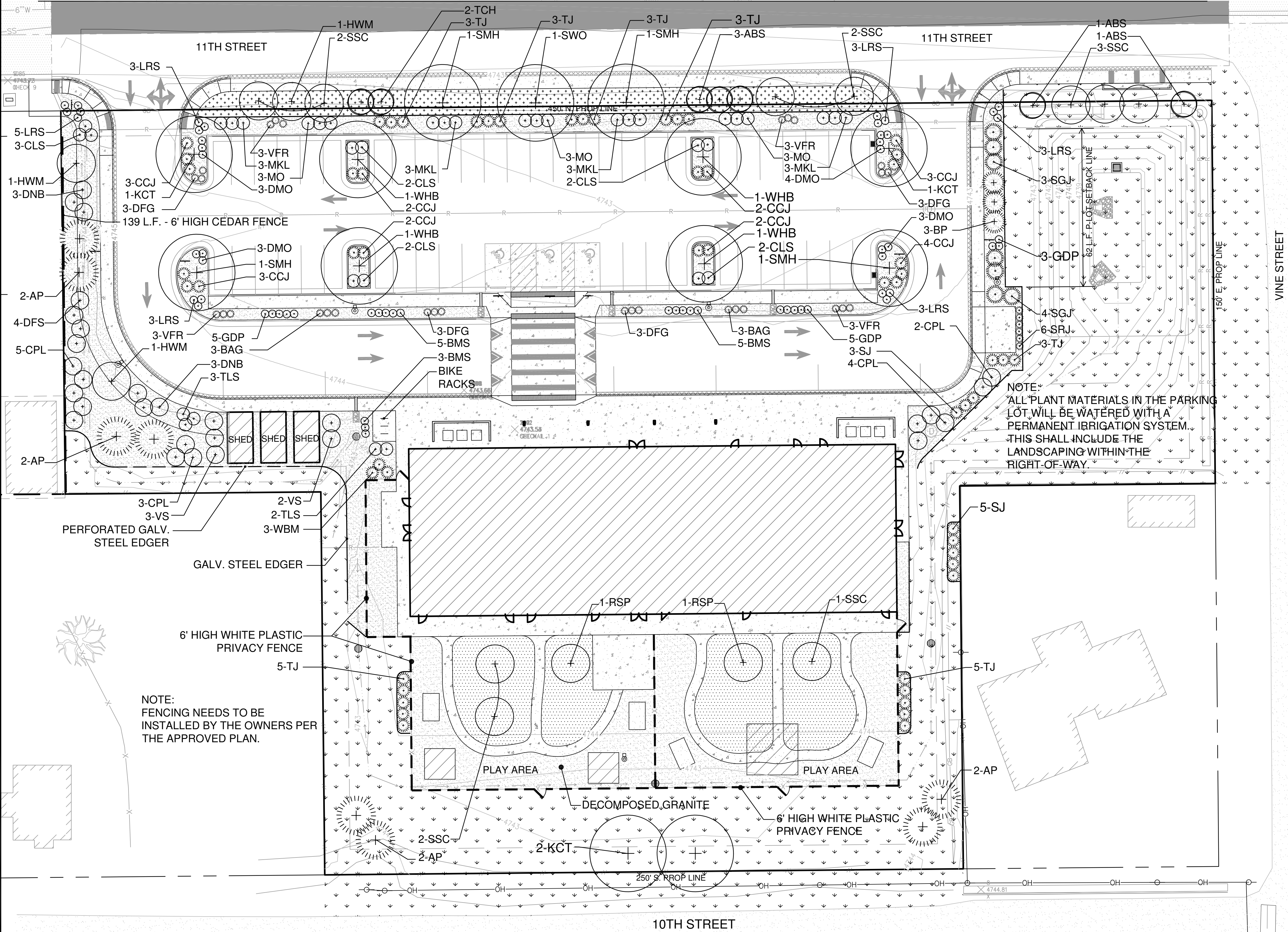


GILCREST HEAD START SCHOOL SITE DEVELOPMENT PLAN

LOCATED AT SECTION 28, TOWNSHIP 04 NORTH, RANGE 66 WEST.
LOTS 6-10; AND LOTS 13-21, ALL OF BLOCK 11, TOWN OF GILCREST,
COUNTY OF WELD, STATE OF COLORADO



NOTE:
ALL PLANT MATERIALS IN THE PARKING
LOT WILL BE WATERED WITH A
PERMANENT IRRIGATION SYSTEM.
THIS SHALL INCLUDE THE
LANDSCAPING WITHIN THE
RIGHT-OF-WAY.

NOTE:
FENCING NEEDS TO BE
INSTALLED BY THE OWNERS PER
THE APPROVED PLAN.

PLANT SCHEDULE

QTY. SYM. COMMON NAME BOTANICAL NAME SIZE / CONDITION

DECIDUOUS CANOPY TREES				
4	SMH	SHADEMASTER HONEYLOCUST	GLEDITSIA TRIACANTHOS INERMIS SHADEMASTER	2" CAL. SPECIMEN
4	WHB	WESTERN HACKBERRY	CELTIS OCCIDENTALIS	2" CAL. SPECIMEN
1	SWO	SWAMP WHITE OAK	QUERCUS BICOLOR	2" CAL. SPECIMEN
4	KCT	SEEDLESS KENTUCKY COFFEE TREE	GYMOCLADUS DIOICUS 'ESPRESSO'	2" CAL. SPECIMEN

EVERGREEN TREES				
8	SJ	SPARTAN JUNIPER	JUNIPERUS CHINENSIS 'SPARTAN'	#15 CONT.
3	BP	BOSNIAN PINE	PINUS HELDREICHII (LEUCODERMIS)	6" HT. SPECIMEN
8	AP	AUSTRIAN PINE	PINUS NIGRA	6" HT. SPECIMEN

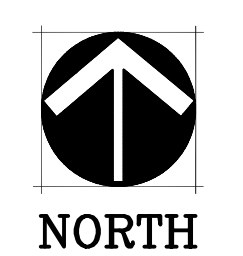
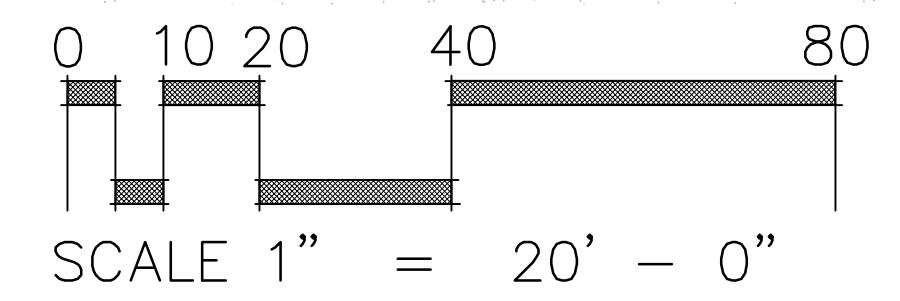
ORNAMENTAL TREES				
3	HWM	HOT WINGS TATARIAN MAPLE	ACER TATARICUM HOT WINGS	1 1/2" CAL. SPECIMEN
10	SSC	SPRING SNOW CRABAPPLE	MALUS SPRING SNOW	1 1/2" CAL. SPECIMEN
2	TOH	THORNLESS COCKSPUR HAWTHORN	CRATAEGUS CRUS-GALLI INERMIS	1 1/2" CAL. SPECIMEN
5	ABS	AUTUMN BRILLIANCE SERVICEBERRY	AMELANCHIER X GRANDIFLORA 'AUTUMN BRILLIANCE'	1 1/2" CAL. SPECIMEN
2	RSP	RED SPIRE PEAR	PYRUS CALLERYANA 'RED SPIRE'	1 1/2" CAL. SPECIMEN

EVERGREEN SHRUBS				
25	TJ	TAMMY JUNIPER	JUNIPERUS SABINA 'TAMARISCIFOLIA'	#5 CONT.
21	CCJ	CALGARY CARPET JUNIPER	JUNIPERUS SABINA 'CALGARY CARPET'	#5 CONT.
3	WBM	WHITE BUD MUGO PINE	PINUS MUGO 'WHITE BUD'	#5 CONT.
6	SRJ	SKY ROCKET JUNIPER	JUNIPERUS SCOPULORUM 'SPARTAN'	#5 CONT.
7	SGJ	SEA GREEN JUNIPER	JUNIPERUS X MEDIA 'SEA GREEN'	#5 CONT.

DECIDUOUS SHRUBS				
13	BMS	BLUE MIST SPIREA	CARYOPTERIS X CLANDONENSIS 'BLUE MIST'	#5 CONT.
13	GDP	GOLD DROP POTENTILLA	POTENTILLA FRUTICOSA 'GOLD DROP'	#5 CONT.
20	LRS	LITTLE SPIRE RUSSIAN SAGE	PEROVSKIA ATRIPLICIFOLIA 'LITTLE SPIRE'	#5 CONT.
13	DMO	DWARF MINNESOTA SNOWFLAKE MOCKORANGE	PHILADELPHUS X VIRGINIALIS 'DWF. MINN. SNOWFLAKE'	#5 CONT.
11	CLS	CREeping THREE LEAF SUMMAC	RHUS TRILOBATA 'AUTUMN AMBER'	#5 CONT.
5	TLS	THREE LEAF SUMMAC	RHUS TRILOBATA	#5 CONT.
9	MO	CHEYENNE MOCKORANGE	PHILADELPHUS LEWISII CHEYENNE	#5 CONT.
12	MKL	MISS KIM LILAC	SYRINGA PATULA 'MISS KIM'	#5 CONT.
14	CPL	COMMON PURPLE LILAC	SYRINGA VULGARIS	#5 CONT.
6	DNB	DIABOLO NINEBARK	PHYSOCARPUS OPULIFOLIUS 'DIABOLO'	#5 CONT.
5	VS	VANHOUTE RENAISSANCE SPIREA	SPIREA X VANHOUTEI 'RENAISSANCE'	#5 CONT.
4	DFS	DWARF FRAGRANT SUMAC	RHUS AROMATICA 'GRO-LOW'	#5 CONT.

ORNAMENTAL GRASSES				
12	DFG	DWARF FOUNTAIN GRASS	PENNISETUM ALOPECUROIDES 'HAMILN'	#1 CONT.
6	BAG	BLUE AVENA GRASS	HELICTOTRICHON SEMPERVIRENS	#1 CONT.
12	VFR	VARIEGATED FEATHER REED GRASS	CALAMAGROSTIS ACUTIFLORA 'AVALANCHE'	#1 CONT.

- LOW GROW SEED MIX - DRILL SEED & HYDRO MULCH
- NATIVE PRAIRIE GRASS SEED MIX - DRILL SEED & HYDRO MULCH
- 3/4" MOUNTAIN GRANITE - 3" DEPTH OVER WEED CONTROL FABRIC
- BLUEGRASS SOD PLAY AREA



GILCREST HEAD START SCHOOL
 LOTS 6-10; AND LOTS 13-21, ALL OF BLOCK 11,
 GILCREST, COLORADO
LANDSCAPE PLAN

DRAWN: BK
 DATE: 03-10-2026
 CHECKED: SLD
 DATE: 03-10-2026
 REVISION #:
 DATE:
 JOB NO: CO144580

LANDSCAPE NOTES

- ALL TREES AND SHRUBS SHALL BE PLANTED PER DETAIL. ALL TREES SHALL BE STAKED PER DETAIL FOR A PERIOD OF ONE YEAR. DECIDUOUS TREES ARE TO BE WRAPPED FOR THE FIRST WINTER SEASON, SEE SPECIFICATIONS.
- ALL AREAS TO BE PLANTED ARE TO RECEIVE SOIL PREPARATION OF 5 C.Y. PER 1000 S.F. OF PREMIUM 3 SOIL AMENDMENT. SUBMIT DELIVERY TICKETS TO L.A. FOR VERIFICATION OF QUANTITIES & MATERIAL.
- ALL PLANTING BEDS ARE TO RECEIVE A MINIMUM 3" DEPTH ¾" MOUNTAIN GRANITE OVER A WEED CONTROL FABRIC. TREE RINGS ARE TO RECEIVE 3" DEPTH GORILLA HAIR CEDAR MULCH, 4" DIAMETER RING.
- ALL PLANTING BEDS ARE TO BE CONTAINED BY A 4" INTERLOCKING STEEL EDGER, RYERSON OR OTHER APPROVED BY L.A.. EDGER IS NOT REQUIRED WHEN ADJACENT TO CONCRETE WALKS OR AROUND TREE RINGS.
- A "SPECIMEN" TREE REFERS TO A TREE BEING OF SYMMETRICAL SHAPE WITH ONE MAIN LEADER AND A MINIMUM HEIGHT OF 8 FEET FOR DECIDUOUS ORNAMENTAL TREES AND A MINIMUM HEIGHT OF 12 FEET FOR DECIDUOUS SHADE TREES.
- THE LANDSCAPER IS NOT TO START SOIL PREPARATION ACTIVITIES UNTIL MAJOR SITE GRADING HAS BEEN ACCEPTED AND IS WITHIN +/- 1.25 INCHES OF FINAL GRADE. WORK INITIATION BY THE LANDSCAPE CONTRACTOR SIGNIFIES THAT THE CONTRACTOR ACCEPTS THE GRADING AND IS RESPONSIBLE FOR FINAL GRADES SPECIFIED ON GRADING PLANS.
- ALL PLANT SUBSTITUTIONS, INCLUDING PERENNIALS, SHRUBS, AND TREES MUST BE APPROVED BY THE LANDSCAPE ARCHITECT IN WRITING PRIOR TO PLANTING.
- THE LANDSCAPING WILL UTILIZE A PERMANENT FULLY AUTOMATIC UNDERGROUND IRRIGATION SYSTEM. ALL SHRUBS AND TREES OUTSIDE OF SOD AREAS WILL BE DRIP IRRIGATED. SOD AREAS WILL BE IRRIGATED WITH ROTORS OR SPRAY HEADS. THE SYSTEM WILL IRRIGATE THE R.O.W. LANDSCAPE. QUICK COUPLERS WILL BE PROVIDED TO ALLOW TEMPORARY IRRIGATION FOR THE ESTABLISHMENT OF NATIVE GRASSES.

'LOW GROW' SEED MIX

COMMON NAME	% PER AC.
EPHRAM CRESTED WHEATGRASS	30 %
SHEEP FESCUE	25 %
PERENNIAL RYE	20 %
CHEWINGS FESCUE	15 %
CANADA BLUEGRASS	10 %
TOTAL	100 %

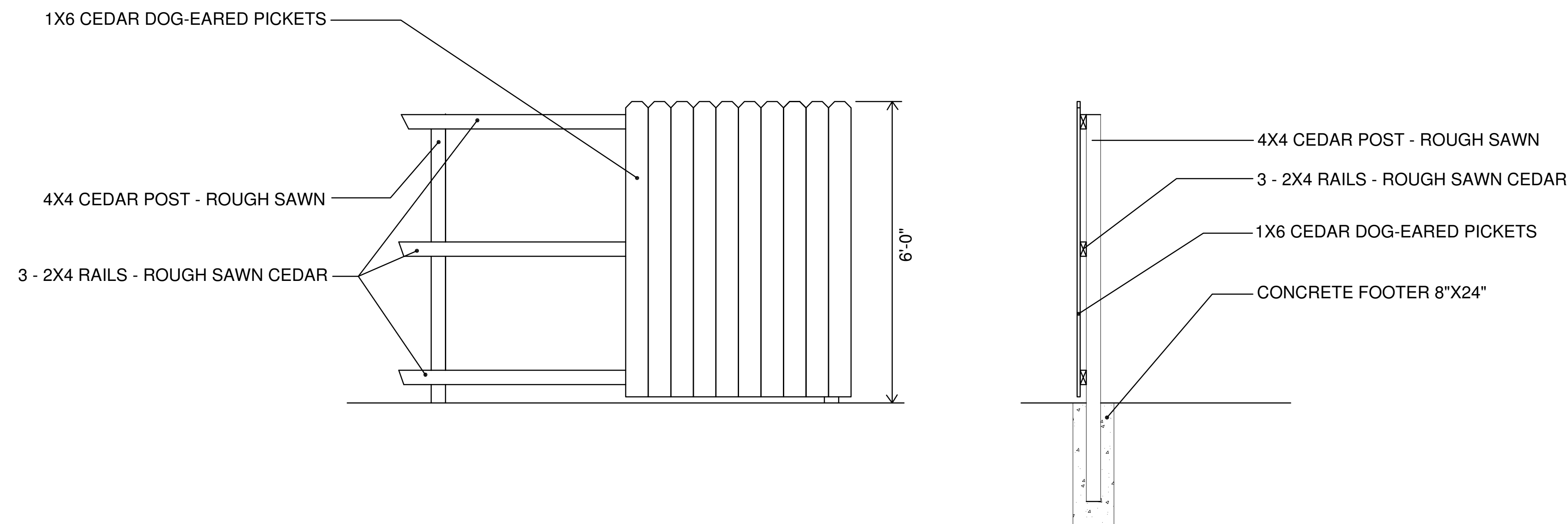
MIN. SEEDING RATE 20 LBS. PLS/ACRE

(MATURE HEIGHT OF GRASS IS 12")

'LOW GROW SEED MIX'
AVAILABLE FROM:
ARKANSAS VALLEY SEED, INC.
4333 HWY. 66
LONGMONT, CO 80504
303-535-4481

PLS INDICATED IS FOR DRILL SEED APPLICATIONS, DOUBLE APPLICATION RATE FOR BROADCAST SEEDING. RE-SEED AREAS LARGER THAN 2 S.F. IN WHICH NO STAND OF GRASS IS ESTABLISHED UNTIL FULL COVERAGE IS ACHIEVED. SEEDING DEPTH ¼" (ONE QUARTER INCH). COVER ALL SEEDED AREAS WITH HYDROMULCH OR STRAW MULCH CRIMPED INTO THE SOIL. ALL SLOPES GREATER THAN 4:1 SHALL BE COVERED WITH EROSION CONTROL MAT WITHOUT POLYPROPYLENE. INCORPORATE 2 C.Y. /1,000 S.F. OF SOIL AMENDMENT INTO THE TOP 3 INCHES OF SOIL PRIOR TO SEEDING.

6' HIGH CEDAR FENCE DETAIL



GILCREST HEAD START SCHOOL SITE DEVELOPMENT PLAN

LOCATED AT SECTION 28, TOWNSHIP 04 NORTH, RANGE 66 WEST.
LOTS 6-10; AND LOTS 13-21, ALL OF BLOCK 11, TOWN OF GILCREST,
COUNTY OF WELD, STATE OF COLORADO

SITE DATA

	SIZE	PERCENTAGE
LOT	105,063 SF	100
BUILDING	13,008 SF	12.46
DETENTION POND	5,164 SF	4.91
PAVED AREAS	40,679SF	38.72
OPEN SPACE	34,699 SF	33.03
PLAY AREA	11,433 SF	10.88

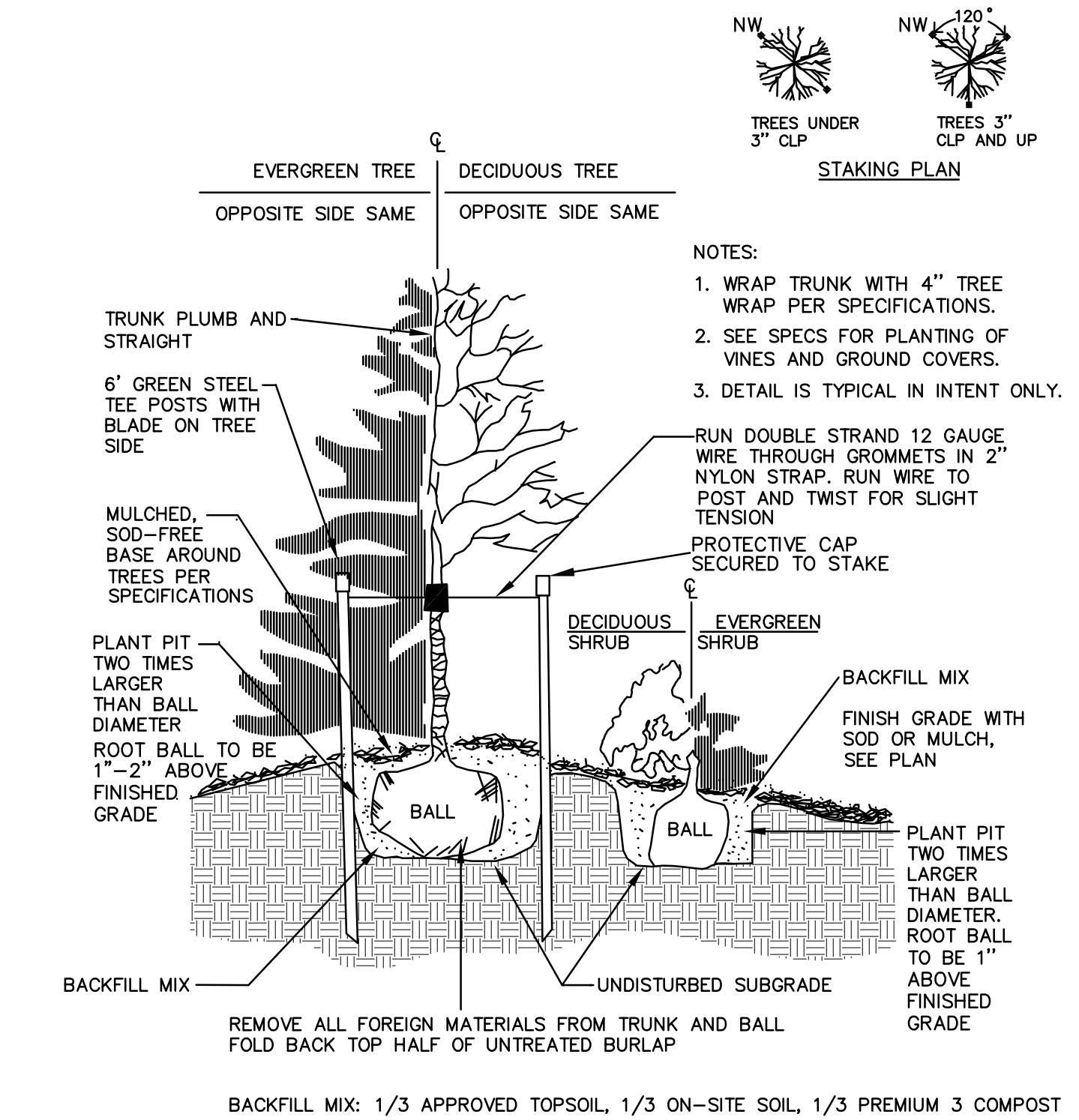
LANDSCAPE CALCULATIONS

LANDSCAPING COVERAGE		
R.O.W. LANDSCAPING		
11TH STREET (450 l.f.)	REQUIRED	PROVIDED
1 TREE / 25 LF	18	18
PARKING LOT LANDSCAPING		
261 L.F. STREET FRONTAGE	TREES REQUIRED	TREES PROVIDED
1 TREE / 25 LF (STREET FRONTAGE)	10	13
EAST SIDE SETBACK (1 TREE / 50 LF)	1.25	3
WEST SIDE SETBACK (1 TREE / 50 LF)	1.25	3
PARKING LOT LANDSCAPE (1,246.7 sf)	6%	7.0%
PARKING LOT (17,729 sf)		

PARKING LOT ISLANDS (1,290.7 SF) LIVE LANDSCAPING COVERAGE	QUANTITY	SF/EA	TOTAL SF
TREES	8	38	304
SMALL SHRUBS	13	7	91
MEDIUM SHRUBS	29	20	580
ORNAMENTAL GRASSES	6	7	42
		TOTAL	1,017 SF
			(81.5% COVERAGE IN BEDS)

NOT TO SCALE

PLANTING DETAIL



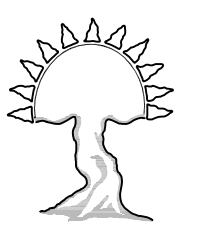
PBSI NATIVE PRAIRIE MIX

COMMON NAME	SCIENTIFIC NAME VARIETY
BLUE GRAMA	BOUTELOUA GRACILIS
BUFFALOGRASS	BOUTELOUA DACTYLOIDES
SIDEOTS GRAMMA	BOUTELOUA CURTIPENDULA
WESTERN WHEATGRASS	PASCOPYRUM SMITHII
GREEN NEEDLEGRASS	NASSELLA VIRIDULA
SAND DROPSEED	SPOROBOLUS CRYTANDRUS

MIX AVAILABLE FROM:
PAWNEE BUTTES SEED INC.
605 25TH STREET
GREELEY, CO
(P) 970.356.7002

MIN. SEEDING RATE 10 PLS/ACRE

PLS INDICATED IS FOR DRILL SEED APPLICATIONS, DOUBLE APPLICATION RATE FOR BROADCAST SEEDING. RE-SEED AREAS LARGER THAN 2 S.F. IN WHICH NO STAND OF GRASS IS ESTABLISHED UNTIL FULL COVERAGE IS ACHIEVED. SEEDING DEPTH ¼" (ONE QUARTER INCH). COVER ALL SEEDED AREAS WITH HYDROMULCH OR STRAW MULCH CRIMPED INTO THE SOIL. ALL SLOPES GREATER THAN 4:1 SHALL BE COVERED WITH EROSION CONTROL MAT.



Sunlit Designs, LLC
Landscape Architecture & Planning
6644 Wadsworth Blvd.
Suite 4
Arvada, CO 80003
(7)303-909-3850
www.sunlitdesigns.com
info@sunlitdesigns.com

NO.	DESCRIPTION	BY	DATE

GILCREST HEAD START SCHOOL
LOTS 6-10; AND LOTS 13-21, ALL OF BLOCK 11,
GILCREST, COLORADO

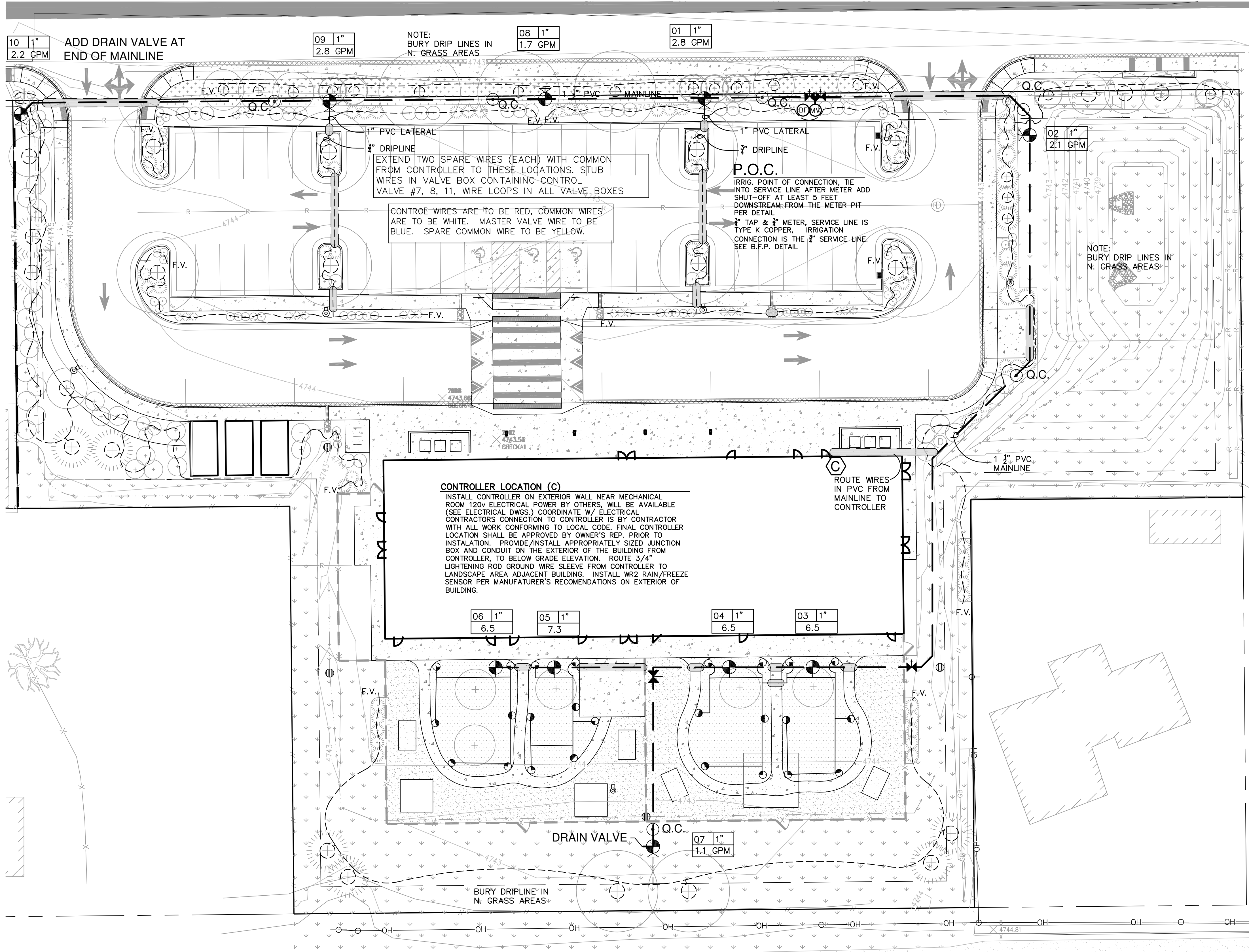
LANDSCAPE DETAILS



DRAWN: BK
DATE: 03-10-2026
CHECKED: SLD
DATE: 03-10-2026
REVISION #:
DATE:
JOB NO: CO 144580

GILCREST HEAD START SCHOOL SITE DEVELOPMENT PLAN

LOCATED AT SECTION 28, TOWNSHIP 04 NORTH, RANGE 66 WEST.
LOTS 6-10; AND LOTS 13-21, ALL OF BLOCK 11, TOWN OF GILCREST,
COUNTY OF WELD, STATE OF COLORADO



ZONING SCHEDULE

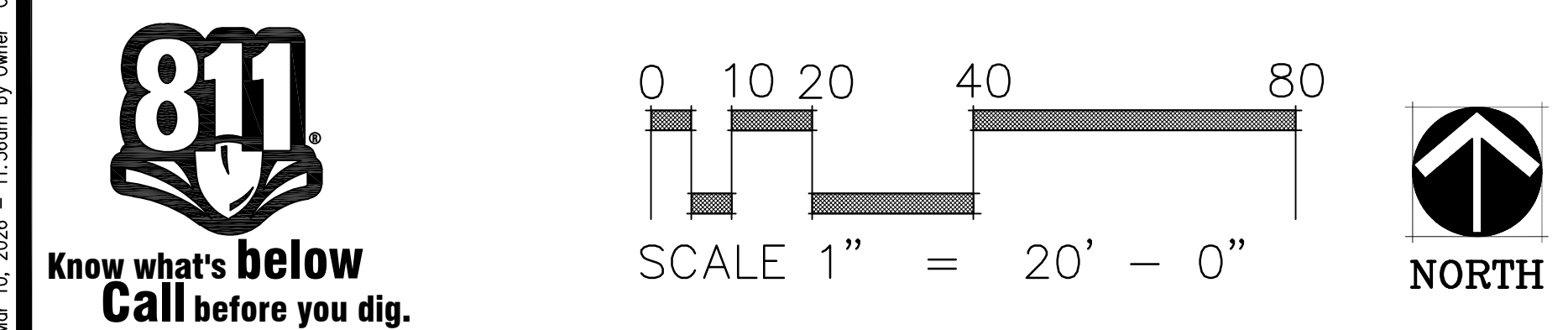
CLOCK STATION	VALVE #	GPM's	VALVE SIZE	OPERATING PRESSURE	HEAD / NOZZLE TYPE	QUANTITY
01	01	2.8	1"	30	RAINBIRD XCZ-100-PRB-COM DRIP IRRIGATION	
02	02	2.1	1"	30	RAINBIRD XCZ-100-PRB-COM DRIP IRRIGATION	
03	03	6.5	1"	25	RAINBIRD 5000SAMPRS W/ RB 5000-MPR-25 SERIES NOZ.	3H, 3Q
04	04	6.5	1"	25	RAINBIRD 5000SAMPRS W/ RB 5000-MPR-25 SERIES NOZ.	3H, 3Q
05	05	7.3	1"	25	RAINBIRD 5000SAMPRS W/ RB 5000-MPR-25 SERIES NOZ.	3H, 4Q
06	06	6.5	1"	25	RAINBIRD 5000SAMPRS W/ RB 5000-MPR-25 SERIES NOZ.	3H, 3Q
07	07	1.1	1"	30	RAINBIRD XCZ-100-PRB-COM DRIP IRRIGATION	
08	08	1.7	1"	30	RAINBIRD XCZ-100-PRB-COM DRIP IRRIGATION	
09	09	2.8	1"	30	RAINBIRD XCZ-100-PRB-COM DRIP IRRIGATION	
10	10	2.2	1"	30	RAINBIRD XCZ-100-PRB-COM DRIP IRRIGATION	
11	11				SPARE	
12	12				SPARE	

EQUIPMENT LEGEND

SYMBOL	MANUFACTURER	MODEL NO.	DESCRIPTION	DETAIL NO.
—		CLASS 200 PVC	1 1/2" PVC MAINLINE, BELL END PIPE	I-2-2
—		CLASS 200 PVC	LATERAL LINE, SIZED AS INDICATED, ALL UNSIZED PIPE IS 1", PVC - ASTM D2241,	I-2-2
---			DRIP DISTRIBUTION TUBING	I-2-2
⊙	RAINBIRD	5000-PC-SAM-PRS MPR-25 SERIES NOZZLES	6" POP-UP GEAR DRIVEN ROTOR	I-2-1
⊕	RAINBIRD	100 - PEB SERIES	1" ELECTRIC CONTROL VALVE - TYPE, 2-WAY w/ MANUAL BLEED PLUG AND FLOW ADJUSTMENT	I-3-2
⊕	RAINBIRD	XCZ-100-PRB-COM	1" ELECTRIC CONTROL DRIP VALVE ASSEMBLY - INCLUDES BALL VALVE, 200 MESH INLINE FILTER, REMOTE CONTROL VALVE AND PRESSURE REGULATOR	I-2-7
⊕	RAINBIRD	LXME2/ PRO	12 STATION AUTOMATIC CONTROLLER W/ RAINBIRD WR2 RAIN SENSOR CONFIRM LOCATION WITH OWNER'S REP.	I-3-4
Q.C. ⊕	RAINBIRD	44-RC	1" QUICK COUPLER	I-3-1
⊕	BUCKNER / SUPERIOR	MODEL 3000	1" BRASS VALVE (NORMALLY CLOSED) MODEL #3000100	I-2-5
---			LINE SIZE	I-2-3
⊕	FEBCO LF 825 YA	'USC APPROVED'	3/4" BACKFLOW ASSEMBLY IN LOCKABLE GREEN GUARDSHACK ENCLOSURE ON CONCRETE PAD	I-2-6
⊕			POINT OF CONNECTION ASSEMBLY	I-2-9
---			SLEEVING - CLASS 200 PVC TWICE SIZE OF DISTRIBUTION PIPE	I-2-2
F.V.	FLUSH VALVE	LINE SIZE	FLUSH VALVE	I-2-4

SEE TECHNICAL DETAILS FOR OTHER EQUIPMENT REQUIREMENTS.

- ### GENERAL NOTES
- THE SYSTEM DESIGN ASSUMES A MINIMUM DYNAMIC PRESSURE FOR THE IRRIGATION SYSTEM OF 65 PSI AT A MINIMUM DISCHARGE OF 16 GPM AT THE POINT OF CONNECTION. VERIFY PRESSURE AND FLOW ON SITE PRIOR TO CONSTRUCTION AND REPORT ANY DISCREPANCIES WITH ASSUMPTIONS.
 - READ THOROUGHLY AND BECOME FAMILIAR WITH THE SPECIFICATIONS AND INSTALLATION DETAILS PRIOR TO CONSTRUCTION.
 - DO NOT PROCEED WITH THE INSTALLATION OF THE IRRIGATION SYSTEM WHEN IT IS OBVIOUS IN THE FIELD THAT OBSTRUCTIONS OR GRADE DIFFERENCES EXIST THAT MIGHT NOT HAVE BEEN CONSIDERED IN THE DESIGN, OR IF DISCREPANCIES IN CONSTRUCTION DETAILS, LEGENDS, NOTES OR SPECIFICATIONS ARE DISCOVERED.
 - THE DRAWINGS ARE DIAGRAMMATIC, THEREFORE THE FOLLOWING SHOULD BE NOTED:
 - IRRIGATION COMPONENTS MAY BE SHOWN OUTSIDE PLANTING AREAS FOR CLARITY. AVOID CONFLICTS BETWEEN THE IRRIGATION SYSTEM, PLANTING MATERIALS AND ARCHITECTURAL FEATURES. INSTALL IRRIGATION PIPE AND WIRING IN LANDSCAPED AREAS WHENEVER POSSIBLE.
 - USE ONLY STANDARD TEES AND ELBOW FITTINGS. USE OF CROSS TYPE FITTINGS IS NOT PERMITTED.
 - SELECT NOZZLES FOR SPRINKLERS WITH ARCS WHICH PROVIDE COMPLETE AND ADEQUATE COVERAGE WITH MINIMUM OVER SPRAY FOR THE SITE CONDITIONS. CAREFULLY ADJUST THE RADIUS OF THROW AND ARC OF COVERAGE OF EACH SPRINKLER TO PROVIDE THE BEST PERFORMANCE.
 - THE IRRIGATION CONTRACTOR IS RESPONSIBLE FOR THE INSTALLATION OF IRRIGATION SLEEVING. SLEEVES ARE TO BE INSTALLED FOR BOTH PIPING AND ELECTRICAL WIRING AT EACH LANDSCAPE CROSSING. COORDINATE INSTALLATION OF SLEEVING WITH OTHER TRADES. ANY PIPE OR WIRE WHERE SLEEVING WAS NOT INSTALLED, REQUIRES HORIZONTAL BORING BY THE IRRIGATION CONTRACTOR.
 - INSTALL ELECTRICAL POWER TO THE CONTROLLER(S) IN ACCORDANCE WITH THE NEC AND ALL APPLICABLE LOCAL ELECTRICAL UTILITY CODES.
 - PROVIDE 2 - 1 GALLON PER HOUR EMITTERS FOR EACH SHRUB, 2 - 0.5 GALLON PER HOUR EMITTERS PER PERENNIAL OR SMALL ORNAMENTAL GRASS AND 8 GALLON PER HOUR EQUIVALENT DRIP LINE FOR EACH TREE (BELOW MULCH).
 - PROVIDE 2 (SPARES) POSITIVE (BLACK) AND ONE EXTRA GROUND WIRE (YELLOW) THE ENTIRE LENGTH OF MAIN, LOOP INTO EACH VALVE BOX. MULTI-STRAND WIRE IS PROHIBITED.
 - ELECTRIC CONTROL WIRE: TYPE UF WITH 4/64" UL LISTED INSULATION FOR UNDERGROUND BURIAL FOR CLASS II CIRCUITS NO. 12 DIRECT BURIAL COPPER WIRE 14 GAUGE FOR RUNS UP TO 1,000 LINEAR FEET.



Sunlit Designs, LLC
Landscape Architecture & Planning
6544 Wadsworth Blvd.
Suite 4
Arvada, CO 80003
(733) 303-909-3850
www.sunlitdesigns.com
info@sunlitdesigns.com

REVISIONS

NO.	DESCRIPTION	DATE	BY

GILCREST HEAD START SCHOOL
LOTS 6-10; AND LOTS 13-21, ALL OF BLOCK 11,
GILCREST, COLORADO

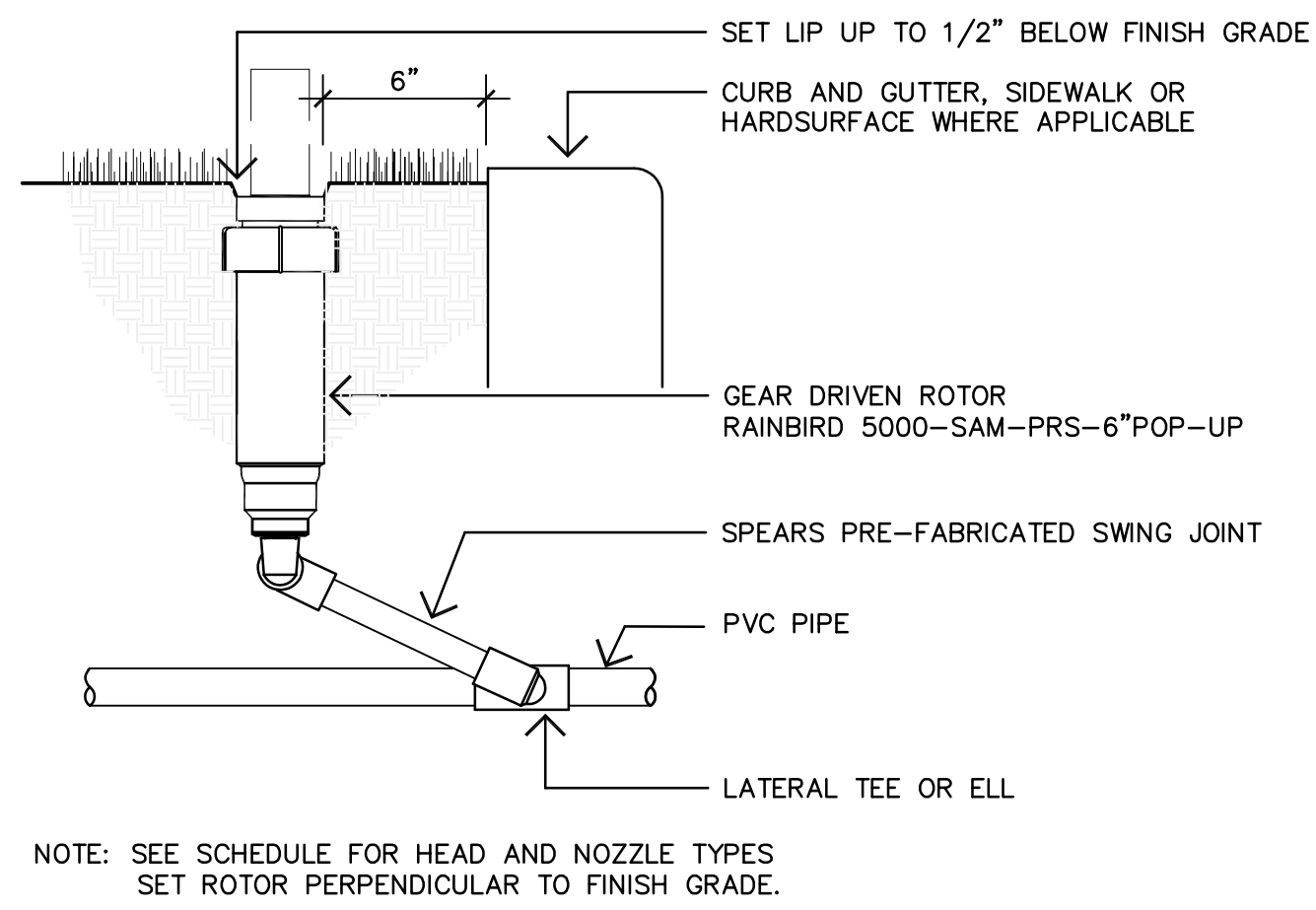
IRRIGATION PLAN

DRAWN: BK
DATE: 03-10-2026
CHECKED: SLD
DATE: 03-10-2026
REVISION #:
DATE:
JOB NO: CO144580

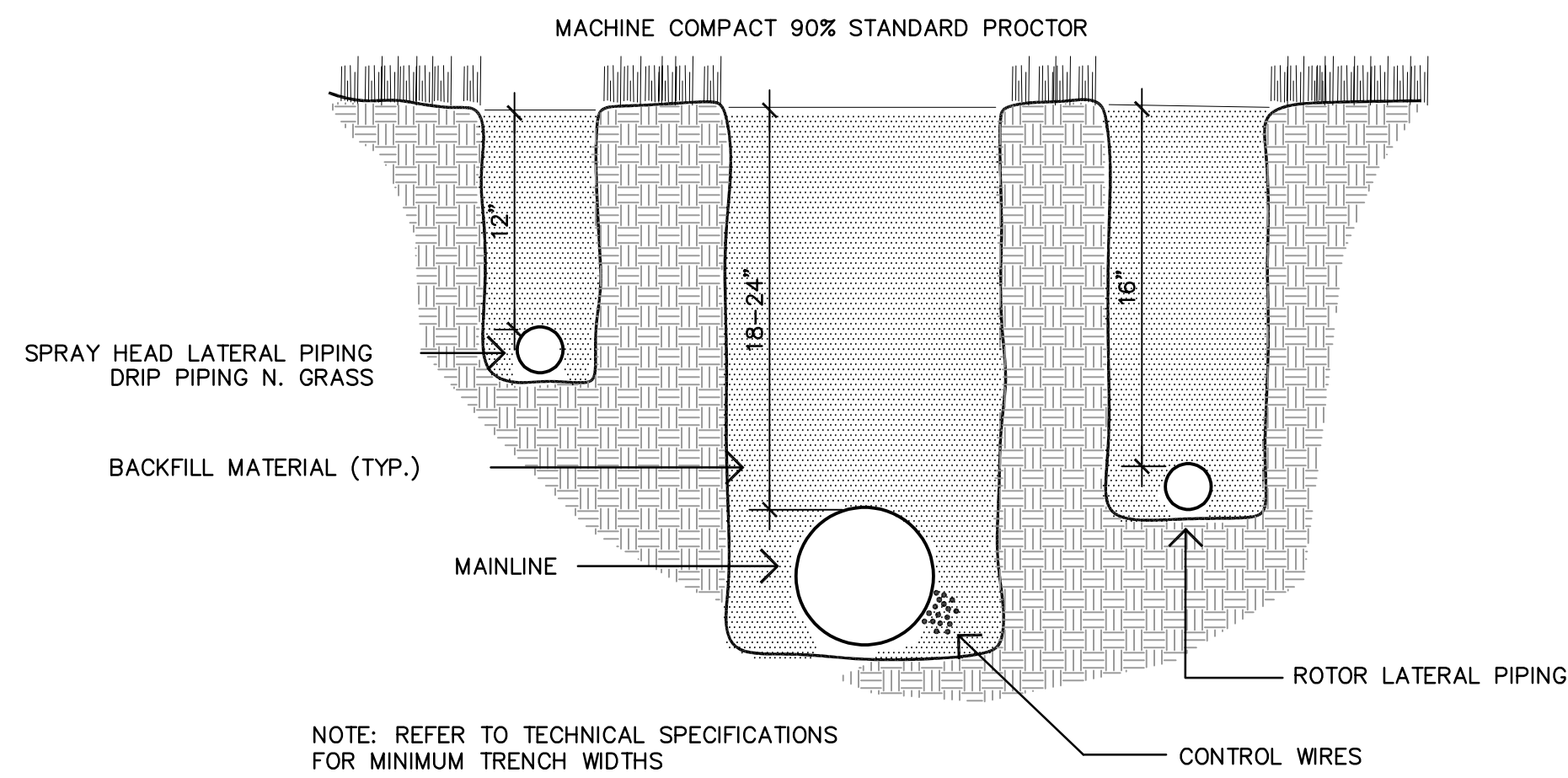
03/10/2026 CONSTRUCTION DOCUMENTS

L-3

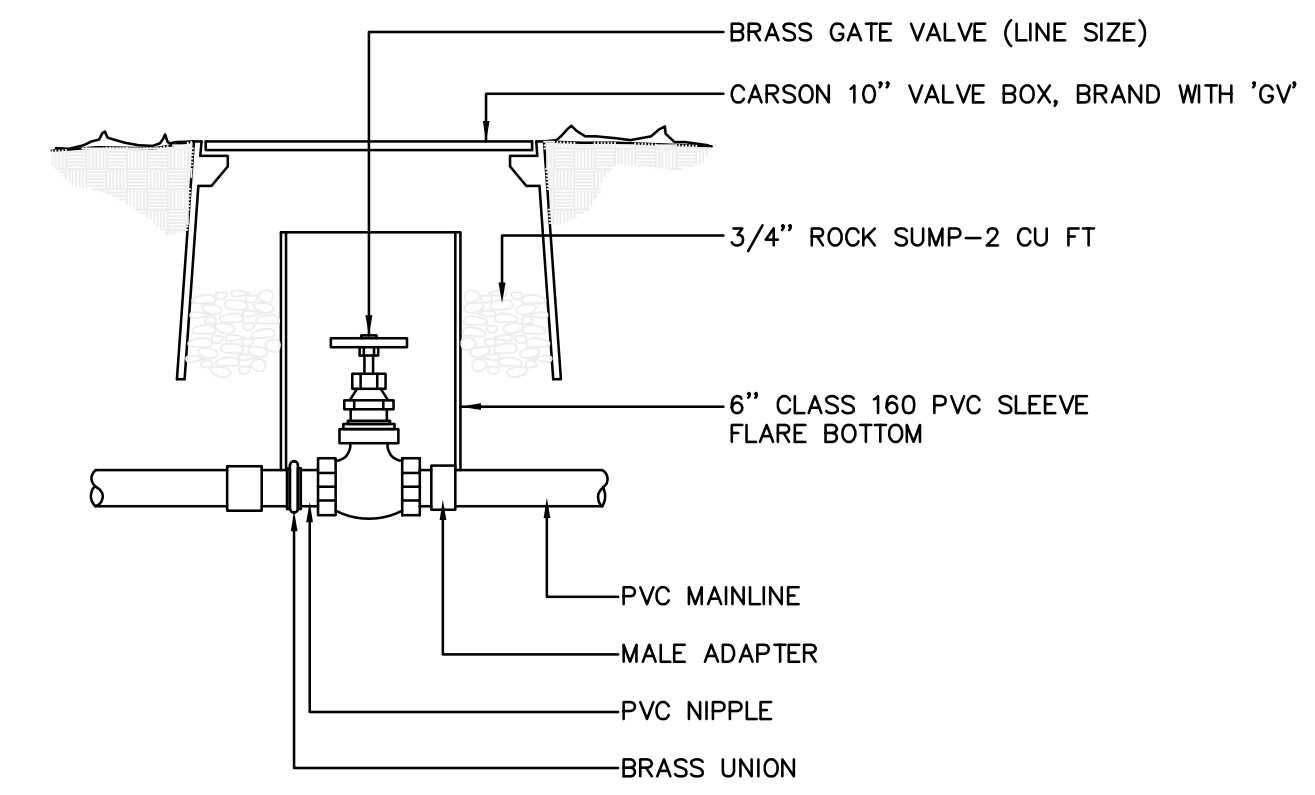
**GILCREST HEAD START SCHOOL
SITE DEVELOPMENT PLAN**
LOCATED AT SECTION 28, TOWNSHIP 04 NORTH, RANGE 66 WEST.
LOTS 6-10; AND LOTS 13-21, ALL OF BLOCK 11, TOWN OF GILCREST,
COUNTY OF WELD, STATE OF COLORADO



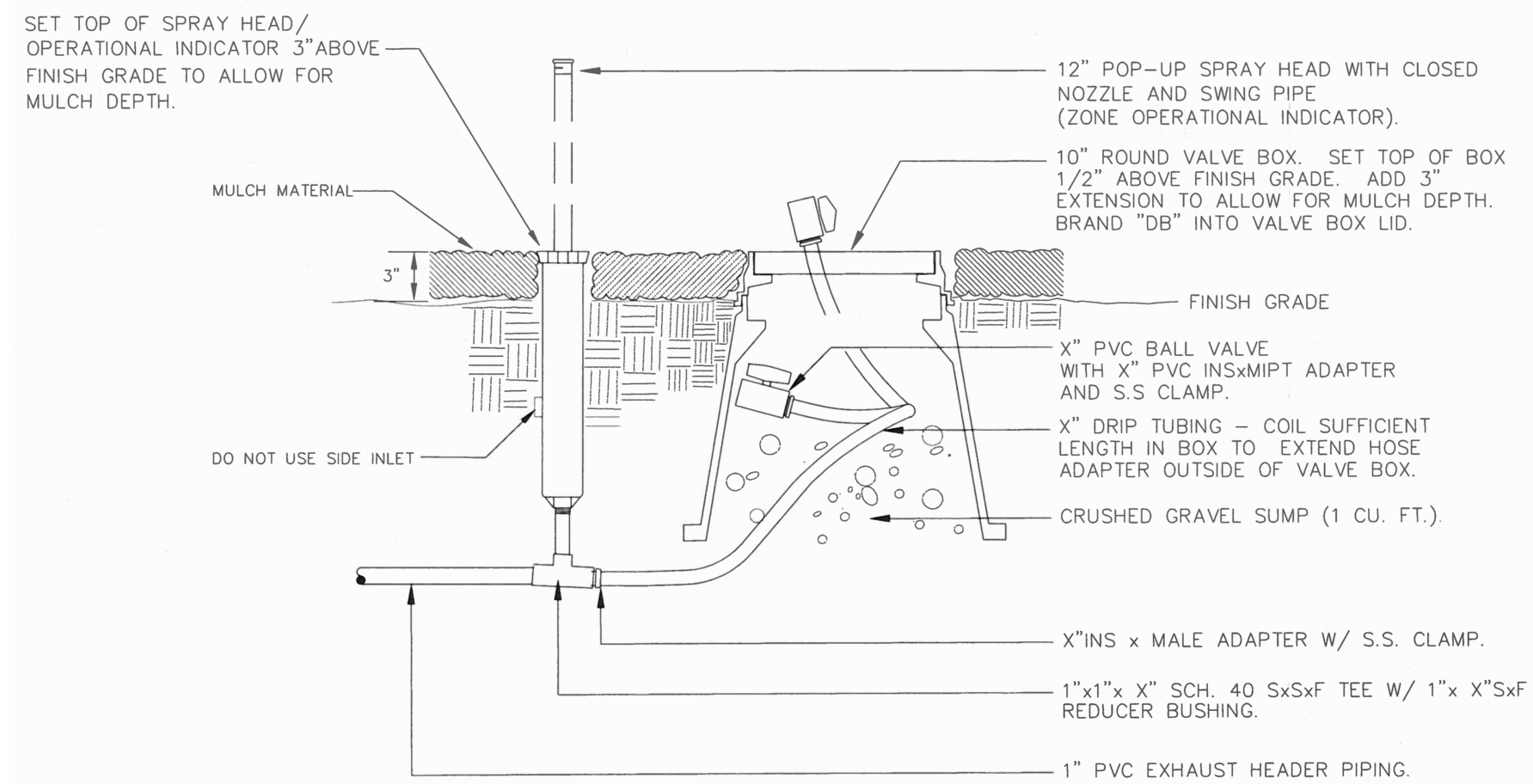
1 GEAR DRIVEN ROTOR
NO SCALE



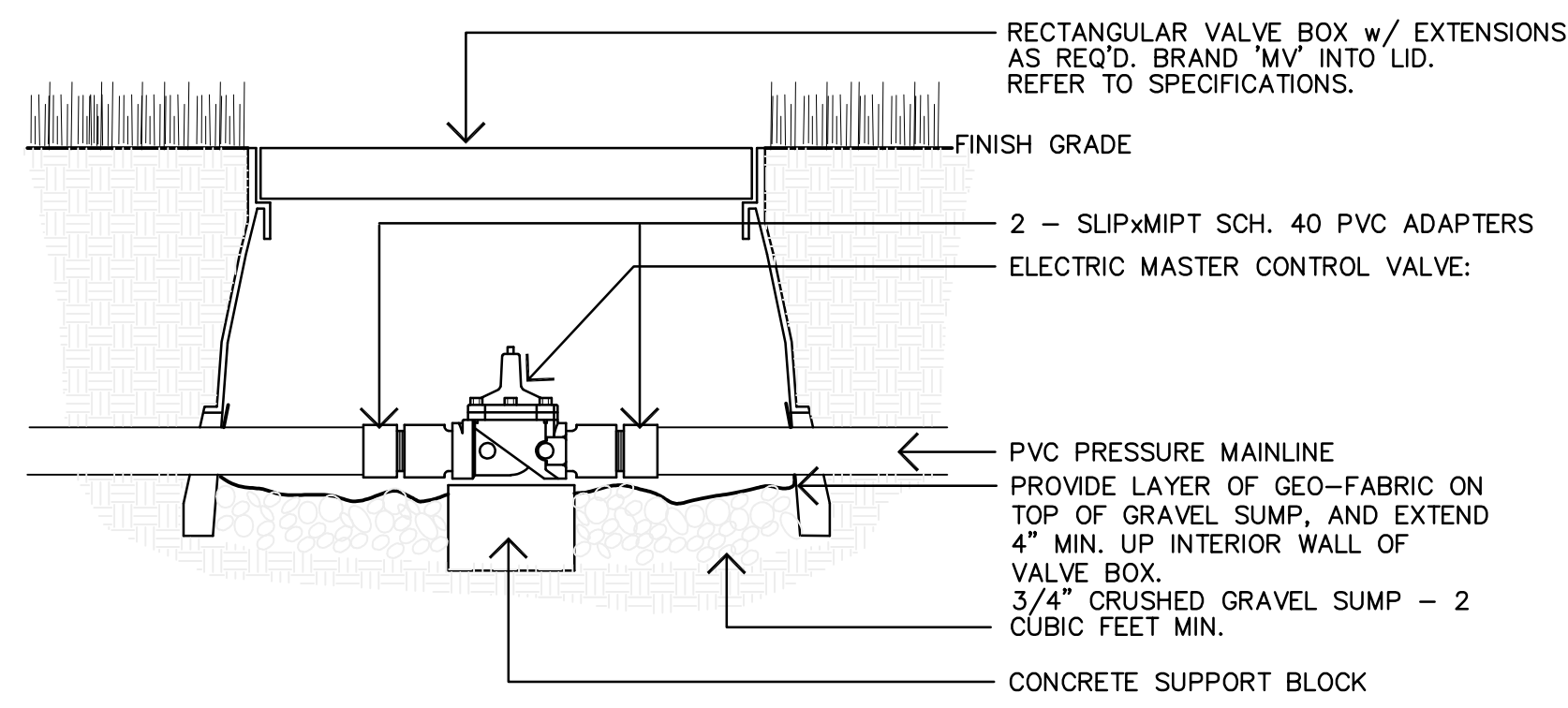
2 TRENCH
NO SCALE



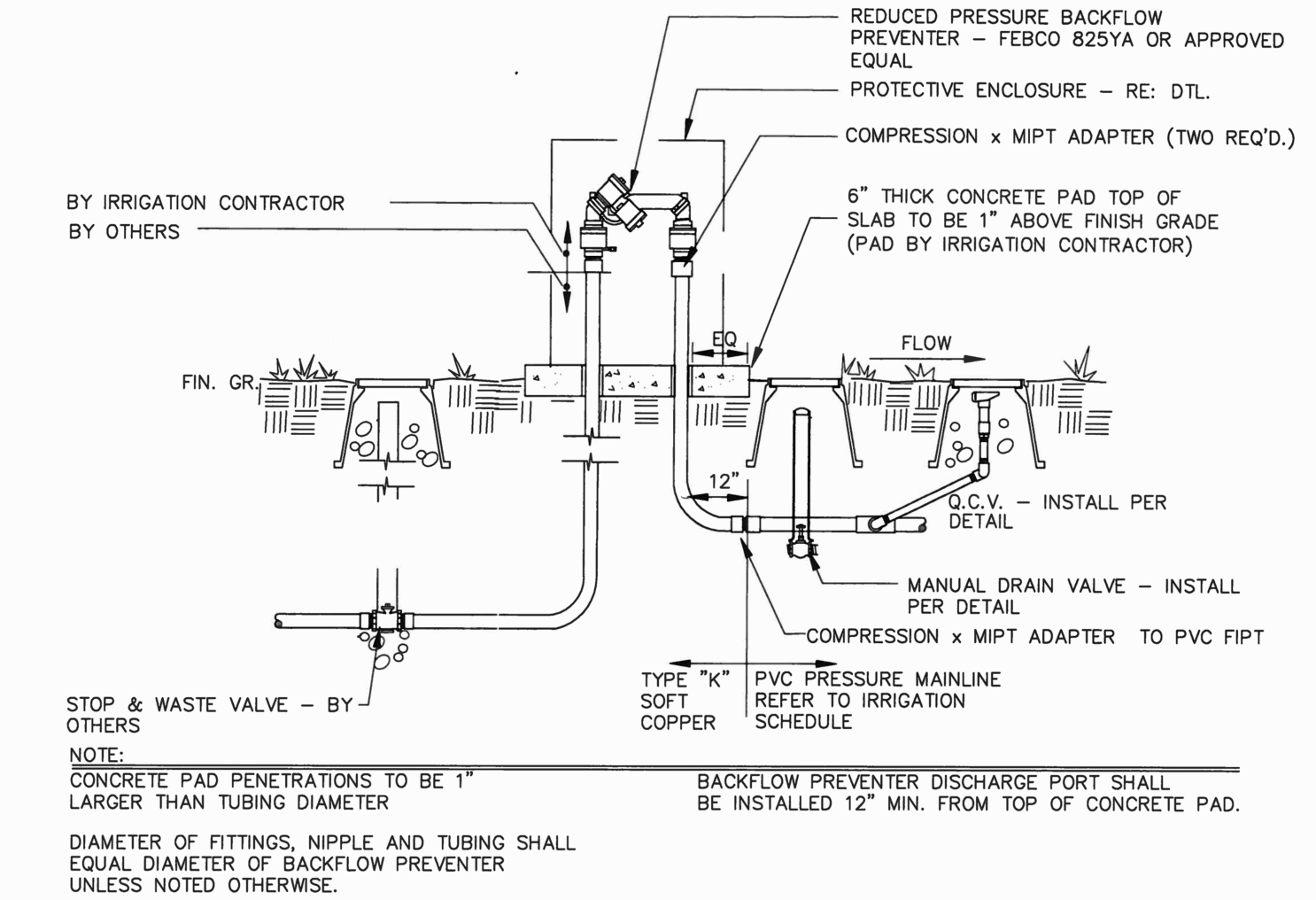
3 GATE VALVE 1\"-2 1/2\"
NO SCALE



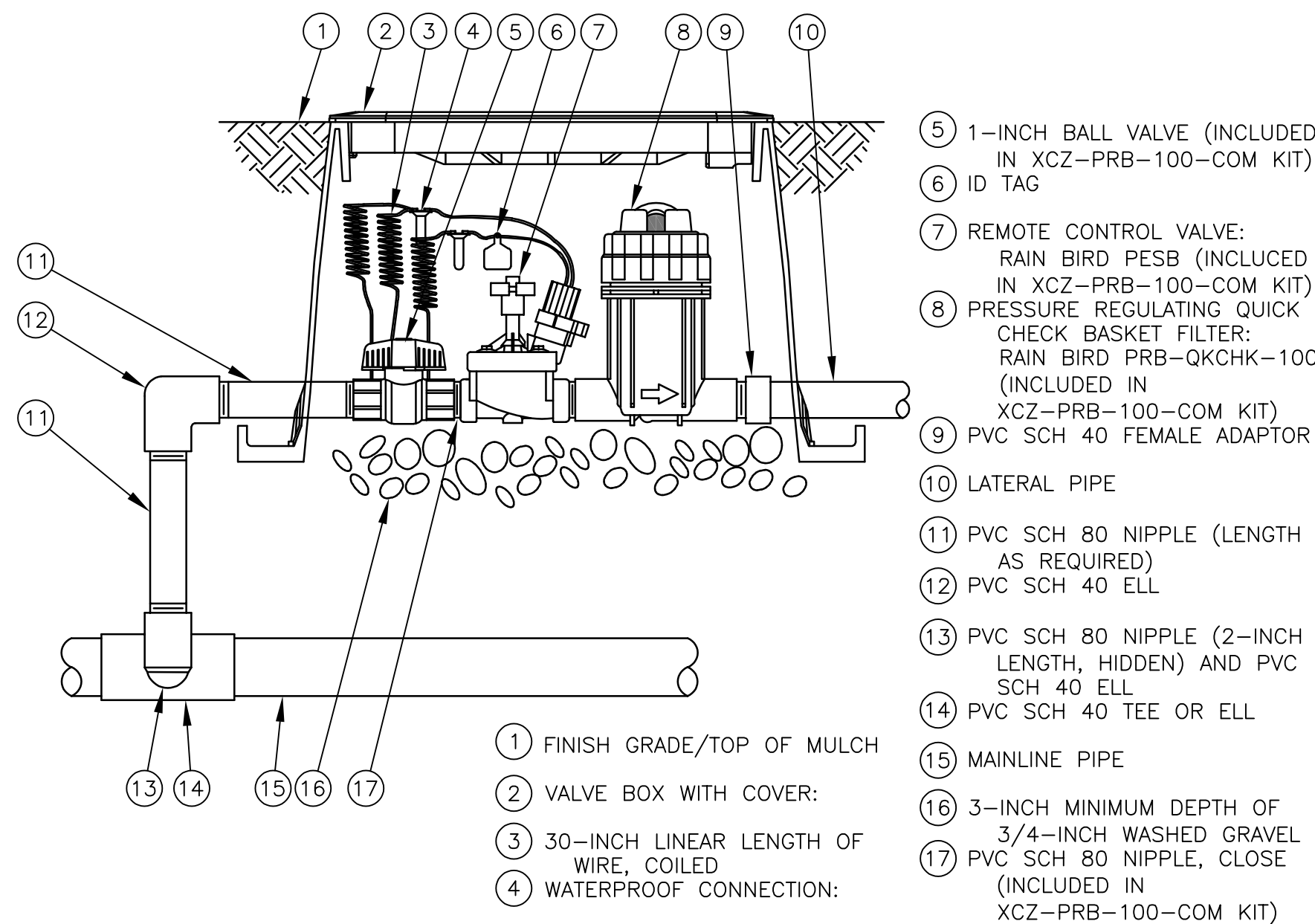
4 DRIP INDICATOR & FLUSH DETAIL
NO SCALE



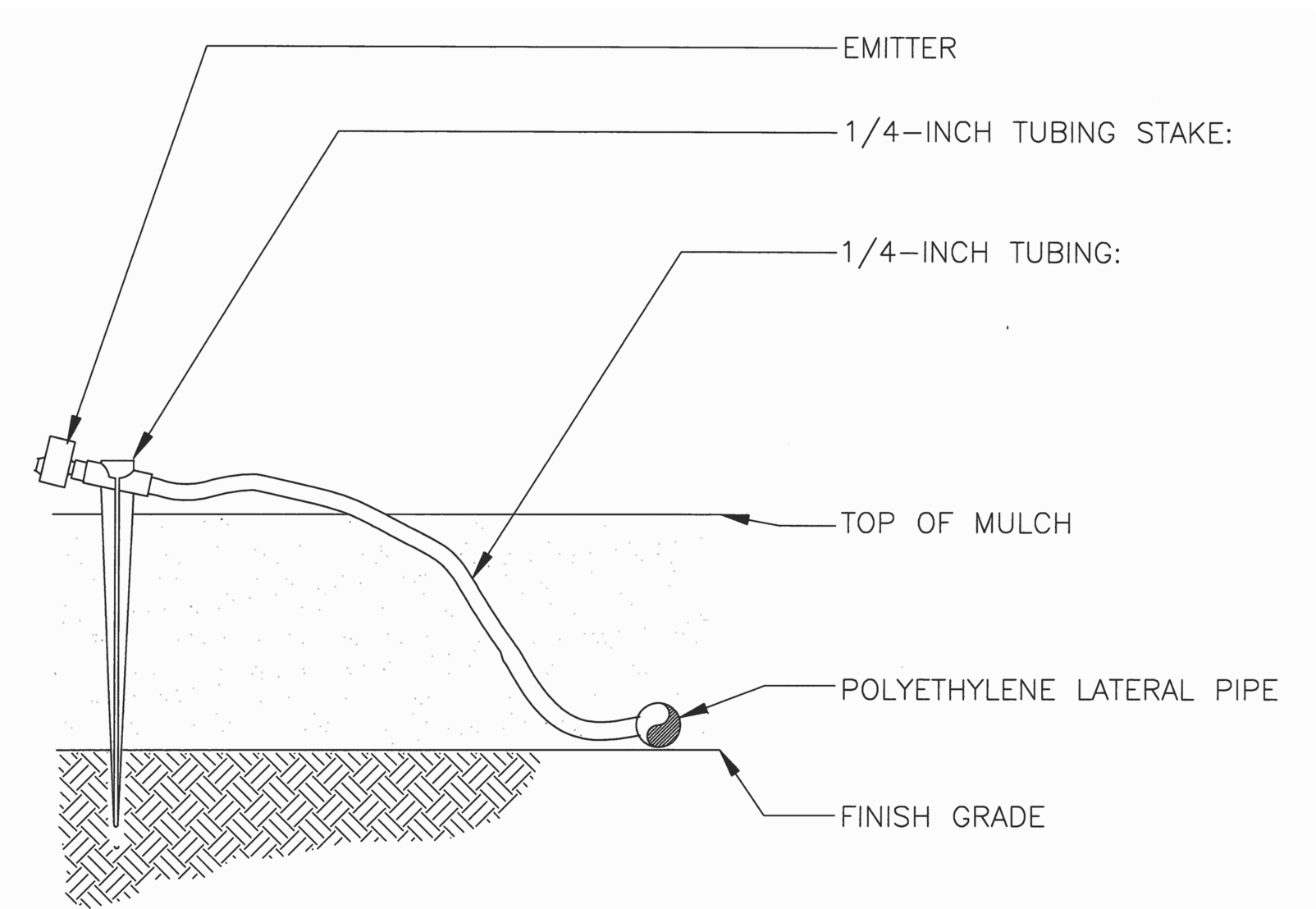
5 MASTER VALVE
NO SCALE



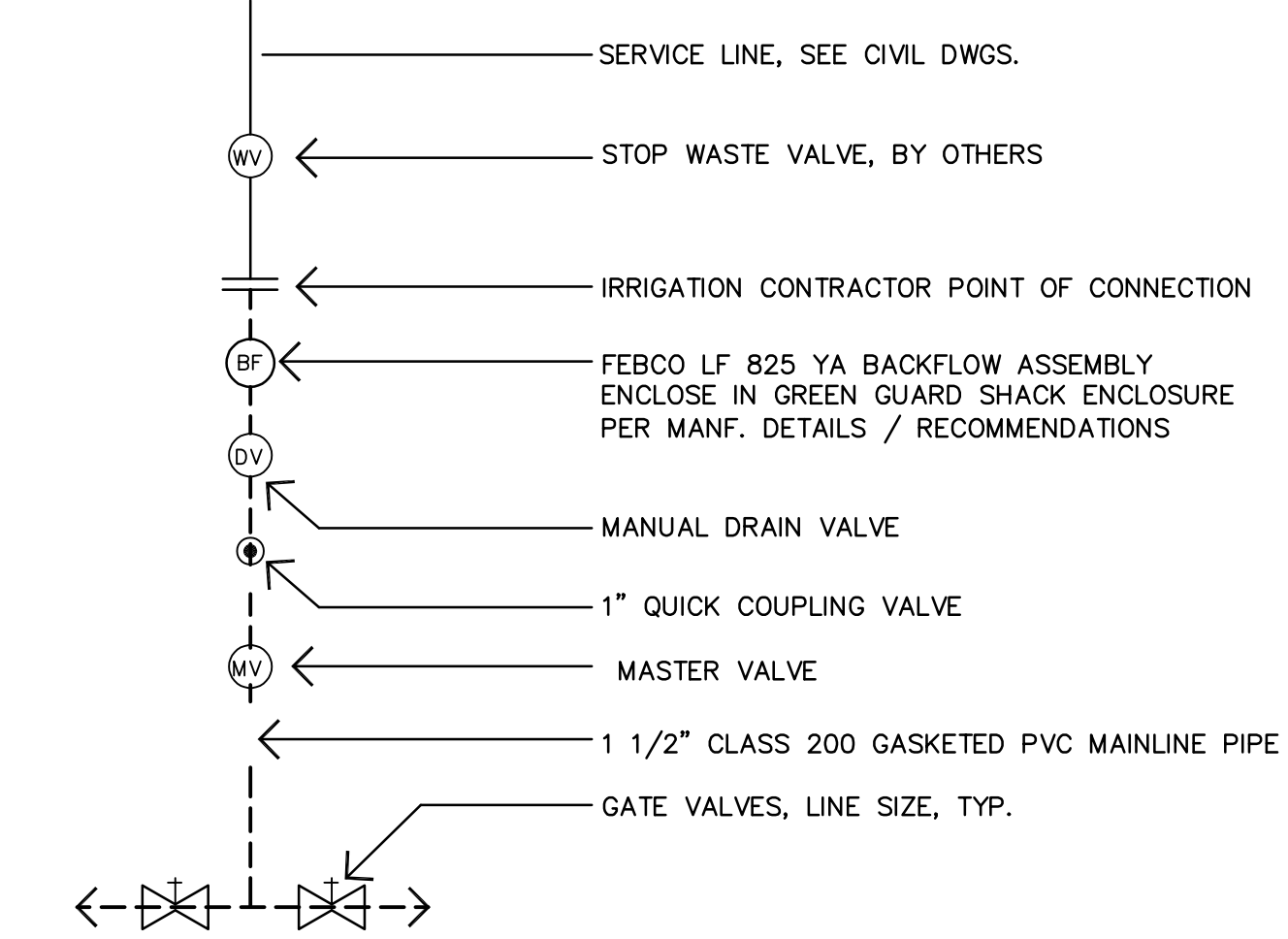
6 BACKFLOW PREVENTER DETAIL
NO SCALE



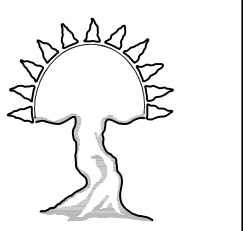
7 DRIP VALVE ASSEMBLY DETAIL
NO SCALE



8 DRIP EMMITER DETAIL
NO SCALE



9 POINT OF CONNECTION
NO SCALE



Sunlit Designs, LLC
Landscape Architecture & Planning
6644 Wadsworth Blvd.
Suite 4
Arvado, CO 80003
(970)303-9009-3850
www.sunlitdesigns.com
info@sunlitdesigns.com

NO.	DESCRIPTION	BY	DATE

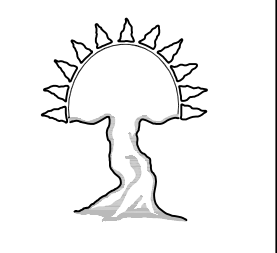
GILCREST HEAD START SCHOOL
LOTS 6-10; AND LOTS 13-21, ALL OF BLOCK 11,
GILCREST, COLORADO

IRRIGATION DETAILS

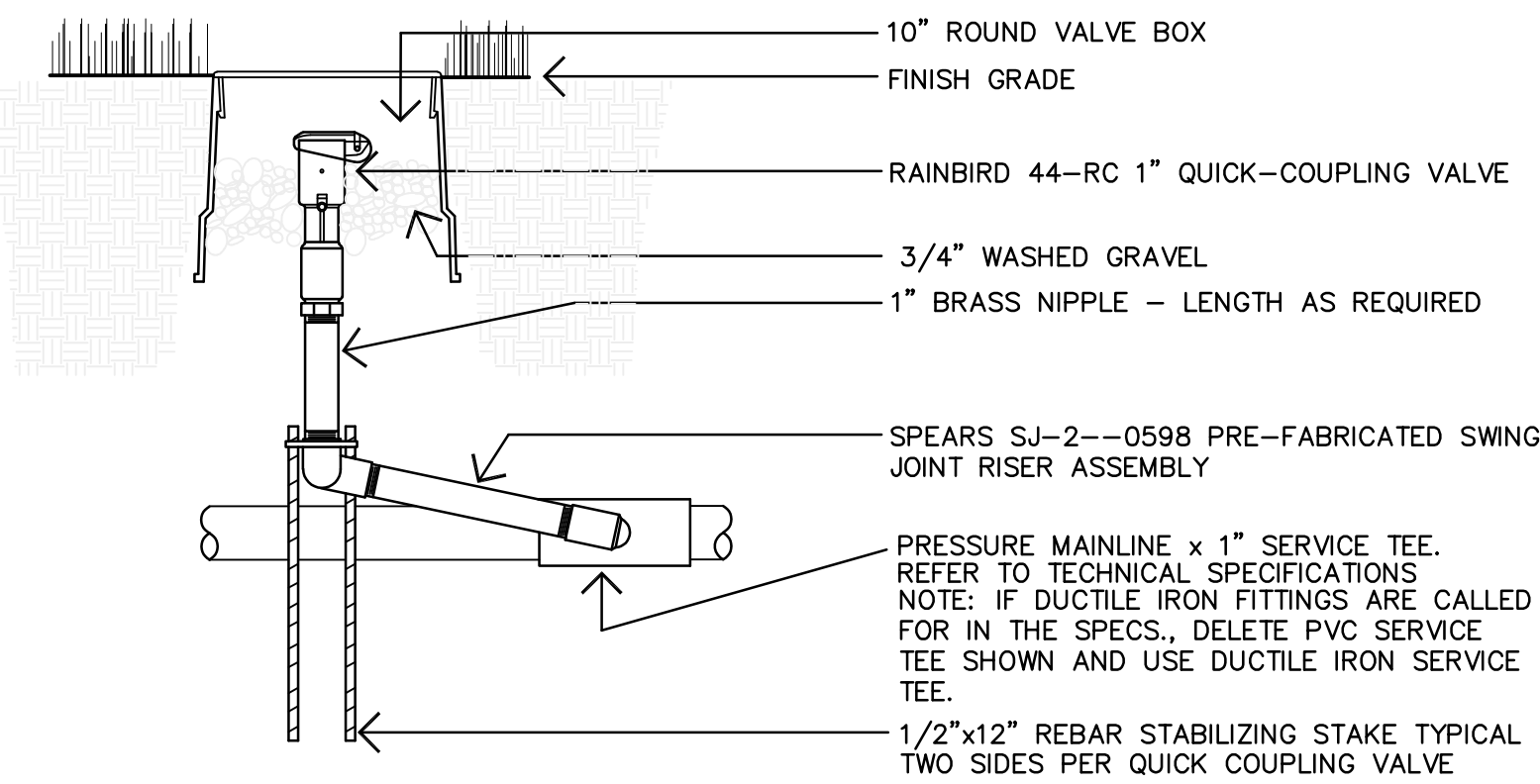
DRAWN: BK
DATE: 03-10-2026
CHECKED: SLD
DATE: 03-10-2026
REVISION #:
DATE:
JOB NO: CO144580



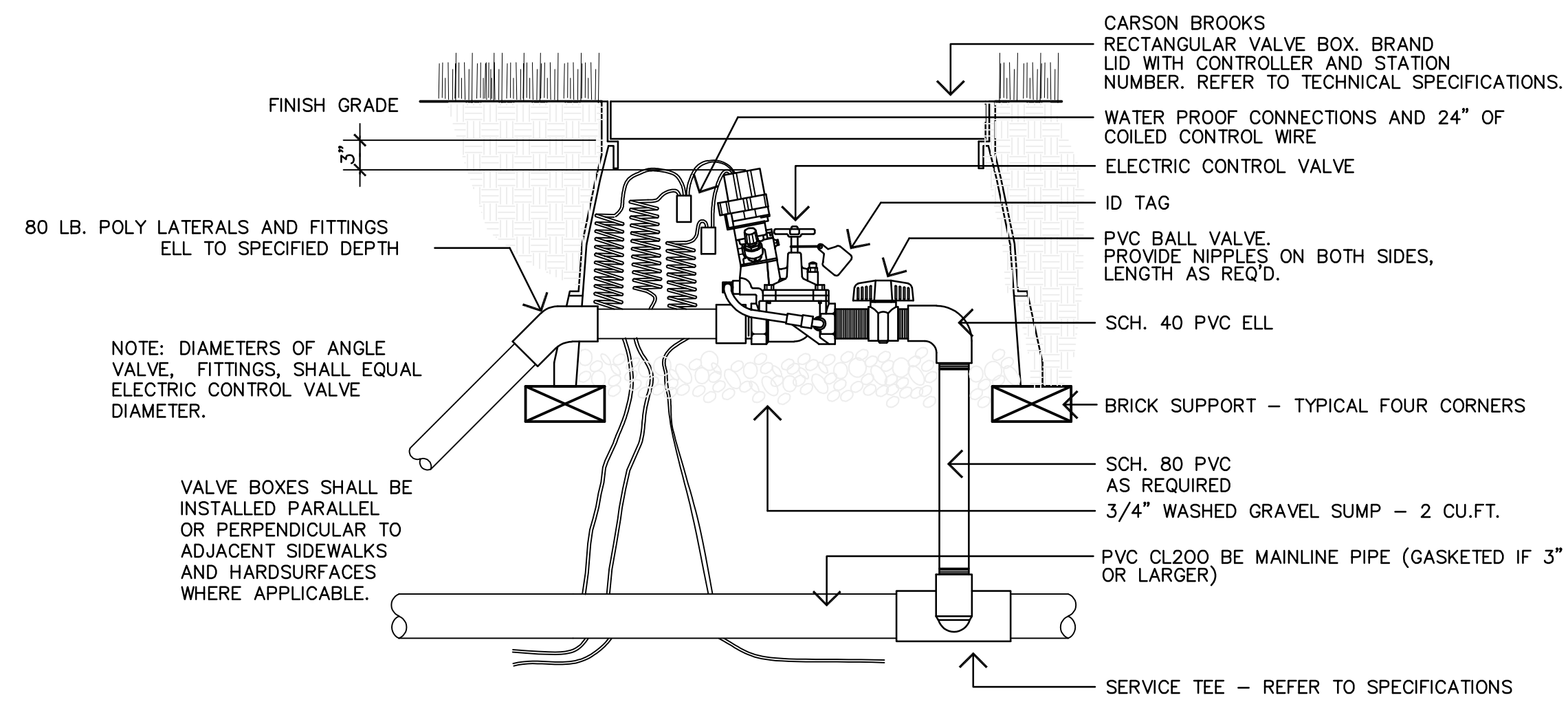
**GILCREST HEAD START SCHOOL
SITE DEVELOPMENT PLAN**
LOCATED AT SECTION 28, TOWNSHIP 04 NORTH, RANGE 66 WEST.
LOTS 6-10; AND LOTS 13-21, ALL OF BLOCK 11, TOWN OF GILCREST,
COUNTY OF WELD, STATE OF COLORADO



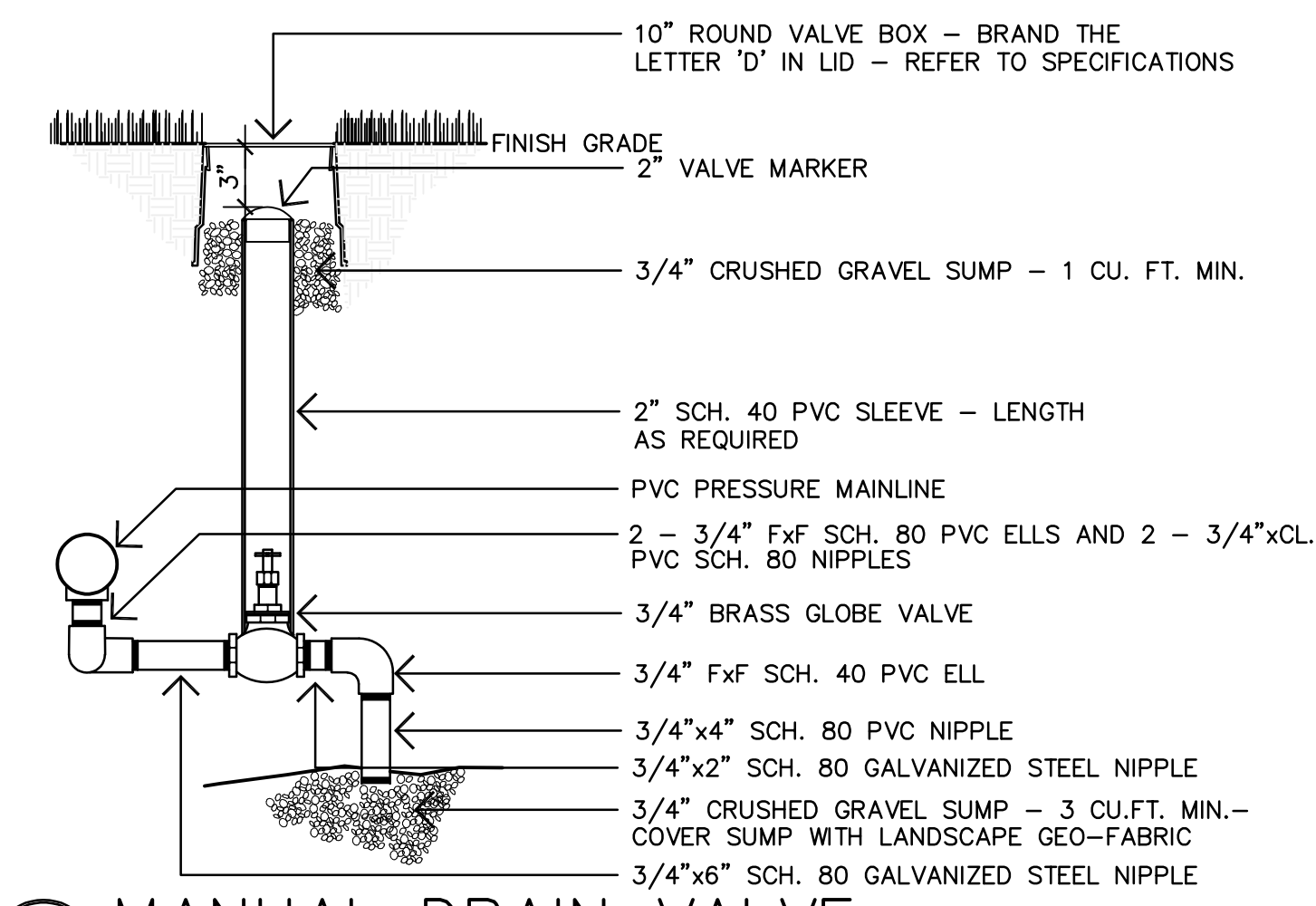
Sunlit Designs, LLC
Landscape Architecture & Planning
6544 Wadsworth Blvd.
Suite 4
Arvada, CO 80003
(7)303-909-3850
www.sunlitdesigns.com
info@sunlitdesigns.com



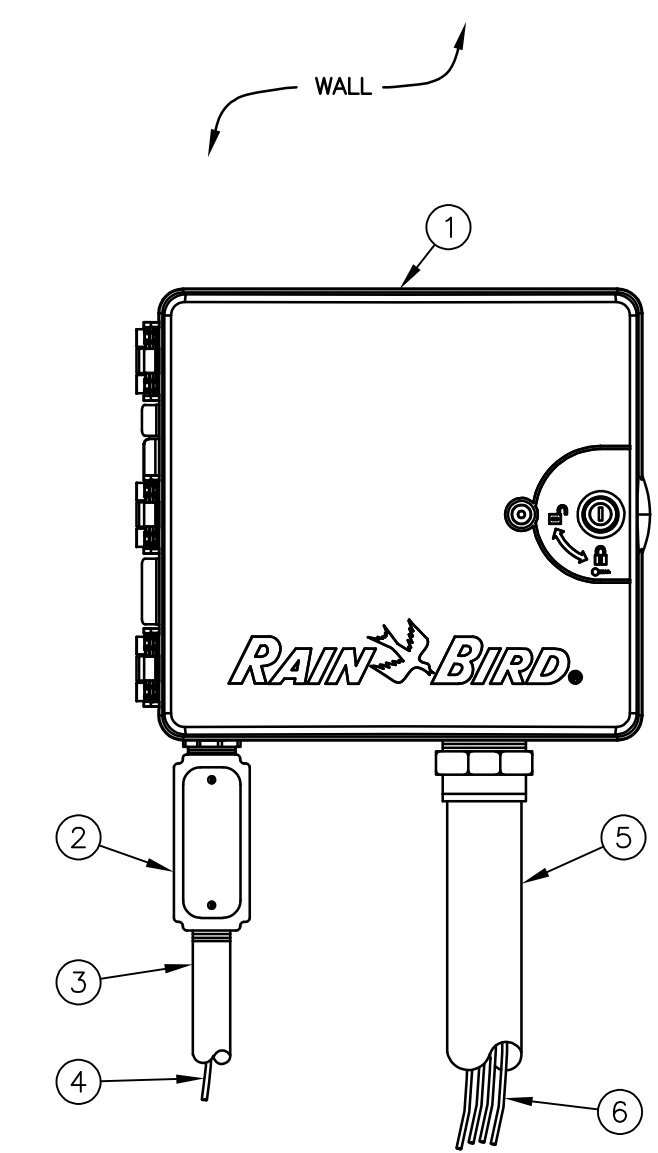
1 QUICK COUPLING VALVE
NO SCALE



2 ELECTRIC CONTROL VALVE
NO SCALE



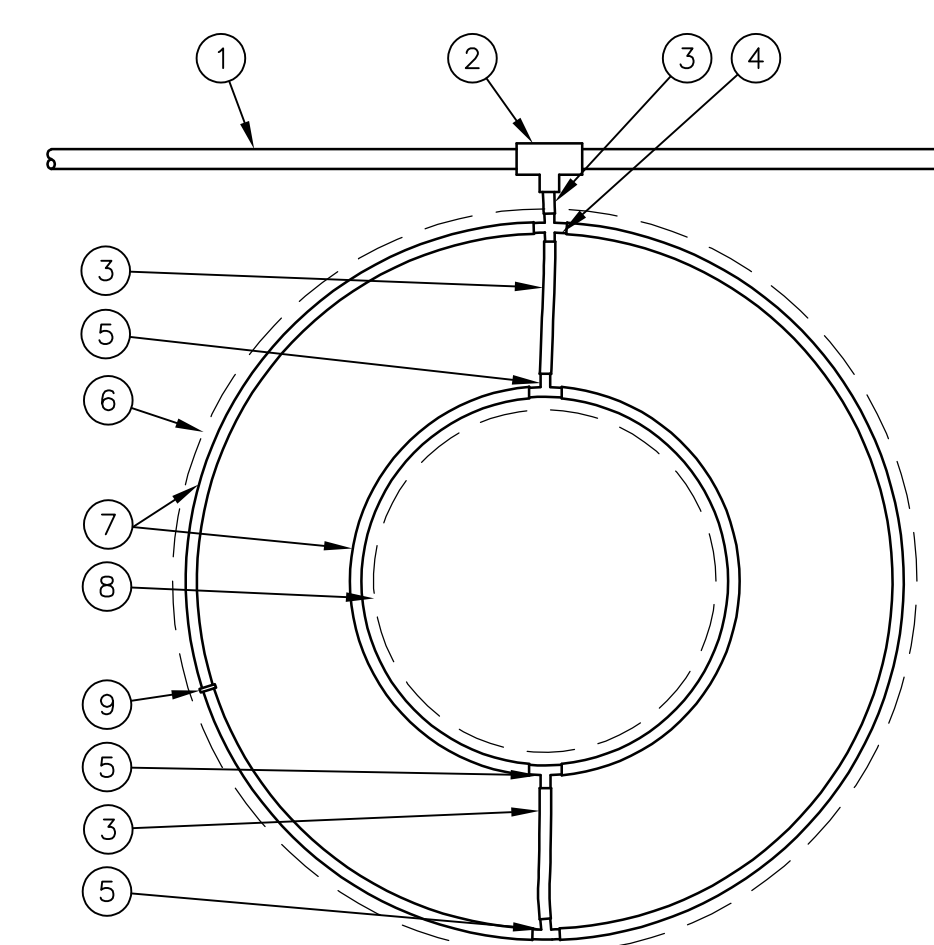
3 MANUAL DRAIN VALVE
NO SCALE



- 1 IRRIGATION CONTROLLER:
RAIN BIRD ESP-LXMEF CONTROLLER WITH FLOW SMART MODULE IN PLASTIC CABINET WITH WALL MOUNT. INSTALL CONTROLLER AND CABINET ON WALL PER MANUFACTURER'S RECOMMENDATIONS.
- 2 JUNCTION BOX
- 3 1-INCH CONDUIT AND FITTINGS TO POWER SUPPLY
- 4 POWER SUPPLY WIRE
- 5 2-INCH CONDUIT AND FITTINGS FOR STATION WIRES
- 6 MASTER VALVE AND REMOTE CONTROL VALVE WIRES

NOTES:
1. ESP-LXMEF CONTROLLER IS AVAILABLE IN 8-STATION BASE MODEL.
2. FOR EASE OF INSTALLATION INTO A CONTROLLER WITH MORE THAN 24 STATIONS, INSTALL A JUNCTION BOX AT THE BASE OF CONTROLLER AND TRANSITION LARGER VALVE AND COMMON WIRES FROM FIELD TO 18 AWG MULTI CONDUCTOR WIRE TO BE USED IN CONTROLLER.
3. USE STEEL CONDUIT FOR ABOVE GRADE AND SCH 40 PVC CONDUIT FOR BELOW GRADE CONDITIONS.
4. PROVIDE PROPER GROUNDING COMPONENTS TO ACHIEVE GROUND RESISTANCE OF 10 OHMS OR LESS.

4 IRRIGATION CONTROLLER
NO SCALE



- 1 PVC DRIP MANIFOLD PIPE
- 2 PVC SCH 40 TEE OR EL
- 3 1/2" POLYETHYLENE TUBING:
RAIN BIRD XF SERIES BLANK TUBING
- 4 BARB CROSS INSERT FITTING:
RAIN BIRD XFD-CROSS
- 5 BARB TEE INSERT FITTING:
RAIN BIRD XFF-TEE
- 6 PROJECTED CANOPY LINE OF TREE
- 7 ON-SURFACE DRIPLINE:
RAIN BIRD XF SERIES DRIPLINE
POTABLE: XFCV DRIPLINE
PLACE AS SHOWN (LENGTH AS REQUIRED)
- 8 ROOT BALL
- 9 TIE DOWN STAKE:
RAIN BIRD TDS-050 WITH BEND
(QUANTITY AS REQUIRED,
SEE NOTES 2-3 BELOW)

NOTES:
1. DISTANCE BETWEEN LATERAL RINGS AND EMITTER SPACING TO BE BASED ON SOIL TYPE, AND TREE CANOPY. SEE INSTALLATION SPECIFICATIONS ON RAIN BIRD WEB SITE (WWW.RAINBIRD.COM) FOR SUGGESTED SPACING.
2. PLACE TIE DOWN STAKES EVERY THREE FEET IN SAND, FOUR FEET IN LOAM, AND FIVE FEET IN CLAY.
3. AT FITTINGS WHERE THERE IS A CHANGE OF DIRECTION SUCH AS TEES OR ELBOWS, USE TIE-DOWN STAKES ON EACH LEG OF THE CHANGE OF DIRECTION.

5 DRIP IRRIGATION OF TREES
NO SCALE

NO.	DESCRIPTION	BY	DATE

GILCREST HEAD START SCHOOL
LOTS 6-10; AND LOTS 13-21, ALL OF BLOCK 11,
GILCREST, COLORADO

IRRIGATION DETAILS



DRAWN: BK
DATE: 03-10-2026
CHECKED: SLD
DATE: 03-10-2026
REVISION #:
DATE:
JOB NO: CO144560